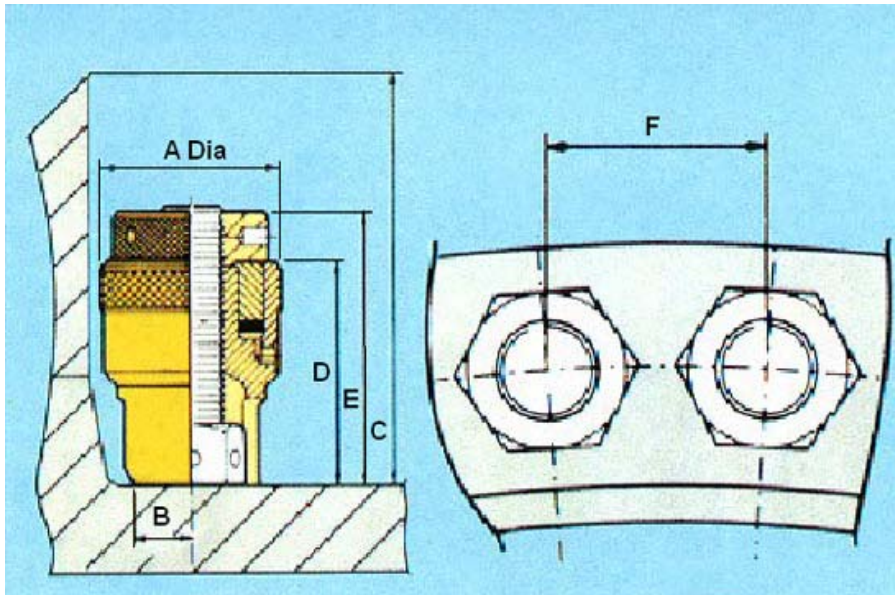


# Boltite Subsea Bolt Tensioner

A specially designing of bolt tensioning equipment to suit the demanding requirements of divers operating in harsh subsea environments. Boltite Subsea Tensioners have been operating in North Sea since 1982 and have a "proven reliability, cost effective and safety record".

Petracarbon has a complete range of Boltite Subsea Tensioners which incorporate the Boltite Split Reaction Nut which gives time saving benefit to divers by ensuring the fastest possible reaction nut engagement.



## Product Datasheet

 [Boltite Subsea  
Technical Specification](#)

## Related Products

[Hydraulic Bolt Tensioning](#)

[Boltite Power Pack](#)

